

○ TRIPHASE

☒ 400 V

■ MONOTRIPHASE



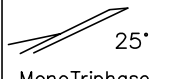
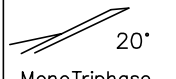
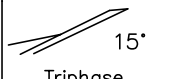

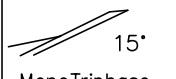
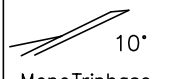
☒ 230/400 V

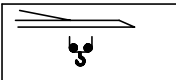
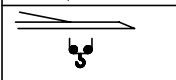
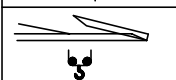
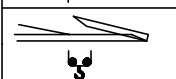
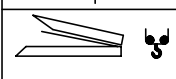
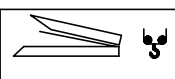
GRU A MONTAGGIO RAPIDO
 GRUE A MONTAGE RAPIDE
 GRUA DE RAPIDO MONTAJE
 GRUA DE MONTAGEM RAPIDA
 QUICK SELFRECTING CRANE
 HYDRAULISCHER SCHNELLMONTAGEKRAN



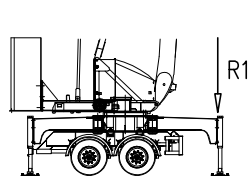
EN 14439-C25
 FEM 1.001-A3

Curve di carico – Courbes de charges – Load diagrams – LastKurven – Curvas de cargas

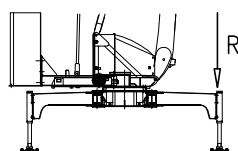
 25° Triphase	☒ 400V	<table border="1"> <tr><td>3</td><td>23</td><td>26</td><td>27,7</td></tr> <tr><td>600</td><td>600</td><td>600</td><td>600</td></tr> </table>	3	23	26	27,7	600	600	600	600	m kg	 20° Triphase	☒ 400V	<table border="1"> <tr><td>3</td><td>23</td><td>26</td><td>28,4</td></tr> <tr><td>600</td><td>600</td><td>600</td><td>600</td></tr> </table>	3	23	26	28,4	600	600	600	600	m kg
3	23	26	27,7																				
600	600	600	600																				
3	23	26	28,4																				
600	600	600	600																				
 25° MonoTriphase	☒ 230/400V	<table border="1"> <tr><td>3</td><td>23</td><td>26</td><td>27,7</td></tr> <tr><td>500</td><td>500</td><td>500</td><td>500</td></tr> </table>	3	23	26	27,7	500	500	500	500	m kg	 20° MonoTriphase	☒ 230/400V	<table border="1"> <tr><td>3</td><td>23</td><td>26</td><td>28,4</td></tr> <tr><td>600</td><td>600</td><td>600</td><td>600</td></tr> </table>	3	23	26	28,4	600	600	600	600	m kg
3	23	26	27,7																				
500	500	500	500																				
3	23	26	28,4																				
600	600	600	600																				
 15° Triphase	☒ 400V	<table border="1"> <tr><td>3</td><td>23</td><td>26</td><td>29,3</td></tr> <tr><td>700</td><td>700</td><td>700</td><td>700</td></tr> </table>	3	23	26	29,3	700	700	700	700	m kg	 10° Triphase	☒ 400V	<table border="1"> <tr><td>3</td><td>23</td><td>26</td><td>29,7</td></tr> <tr><td>700</td><td>700</td><td>700</td><td>700</td></tr> </table>	3	23	26	29,7	700	700	700	700	m kg
3	23	26	29,3																				
700	700	700	700																				
3	23	26	29,7																				
700	700	700	700																				
 15° MonoTriphase	☒ 230/400V	<table border="1"> <tr><td>3</td><td>23</td><td>26</td><td>29,3</td></tr> <tr><td>700</td><td>700</td><td>700</td><td>700</td></tr> </table>	3	23	26	29,3	700	700	700	700	m kg	 10° MonoTriphase	☒ 230/400V	<table border="1"> <tr><td>3</td><td>23</td><td>26</td><td>29,7</td></tr> <tr><td>700</td><td>700</td><td>700</td><td>700</td></tr> </table>	3	23	26	29,7	700	700	700	700	m kg
3	23	26	29,3																				
700	700	700	700																				
3	23	26	29,7																				
700	700	700	700																				

 Triphase	☒ 400V	<table border="1"> <tr><td>3</td><td>13,53</td><td>14</td><td>18</td><td>22</td><td>26</td><td>30</td></tr> <tr><td>2400</td><td>2400</td><td>2300</td><td>1690</td><td>1320</td><td>1070</td><td>900</td></tr> </table>	3	13,53	14	18	22	26	30	2400	2400	2300	1690	1320	1070	900	m kg				
3	13,53	14	18	22	26	30															
2400	2400	2300	1690	1320	1070	900															
 MonoTriphase	☒ 230/400V	<table border="1"> <tr><td>3</td><td>13,53</td><td>14</td><td>18</td><td>22</td><td>26</td><td>30</td></tr> <tr><td>2200</td><td>2200</td><td>2100</td><td>1690</td><td>1320</td><td>1070</td><td>900</td></tr> </table>	3	13,53	14	18	22	26	30	2200	2200	2100	1690	1320	1070	900	m kg				
3	13,53	14	18	22	26	30															
2200	2200	2100	1690	1320	1070	900															
 Triphase	☒ 400V	<table border="1"> <tr><td>3</td><td>13,7</td><td>14</td><td>16</td><td>18</td><td>20</td><td>22</td><td>24</td><td>26</td></tr> <tr><td>2400</td><td>2400</td><td>2350</td><td>2000</td><td>1720</td><td>1510</td><td>1350</td><td>1210</td><td>1100</td></tr> </table>	3	13,7	14	16	18	20	22	24	26	2400	2400	2350	2000	1720	1510	1350	1210	1100	m kg
3	13,7	14	16	18	20	22	24	26													
2400	2400	2350	2000	1720	1510	1350	1210	1100													
 MonoTriphase	☒ 230/400V	<table border="1"> <tr><td>3</td><td>13,7</td><td>14</td><td>16</td><td>18</td><td>20</td><td>22</td><td>24</td><td>26</td></tr> <tr><td>2200</td><td>2200</td><td>2150</td><td>2000</td><td>1720</td><td>1510</td><td>1350</td><td>1210</td><td>1100</td></tr> </table>	3	13,7	14	16	18	20	22	24	26	2200	2200	2150	2000	1720	1510	1350	1210	1100	m kg
3	13,7	14	16	18	20	22	24	26													
2200	2200	2150	2000	1720	1510	1350	1210	1100													
 Triphase	☒ 400V	<table border="1"> <tr><td>3</td><td>13,3</td></tr> <tr><td>2400</td><td>2400</td></tr> </table>	3	13,3	2400	2400	m kg	 MonoTriphase	☒ 230/400V	<table border="1"> <tr><td>3</td><td>13,3</td></tr> <tr><td>2200</td><td>2200</td></tr> </table>	3	13,3	2200	2200	m kg						
3	13,3																				
2400	2400																				
3	13,3																				
2200	2200																				

Reazioni – Reactions – Réactions – Eckdrücke – Reacciones



R1 ● 15,8 t ■ 10,9 t
▲ 26,6 t ◆ 9 t



R1 ● 15,2 t ■ 10,4 t
▲ 24,6 t ◆ 9 t

- Reazioni in servizio
- Reazioni fuori servizio
- ▲ Peso della gru senza assali
- ◆ Peso zavorra rotante

- Reactions in service
- Reactions out of service
- ▲ Dead weight without transport axles
- ◆ Ballast weight

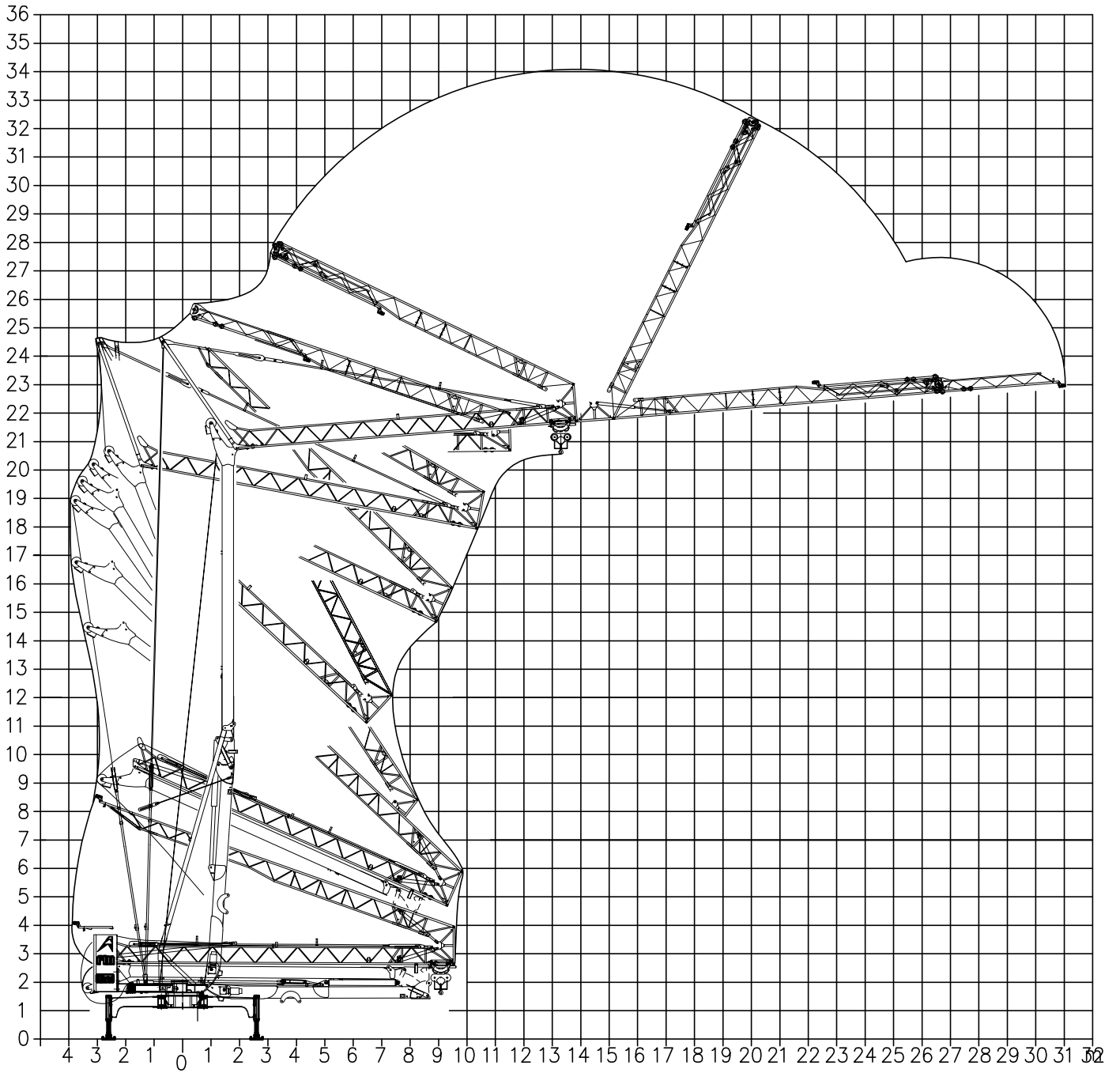
- Réactions en service
- Réactions hors service
- ▲ Poids de construction sans essieux
- ◆ Poids du lest

- Reaktionskräfte in betrieb
- Reaktionskräfte außer betrieb
- ▲ Konstruktionsgewicht ohne transportachse
- ◆ Ballastgewicht

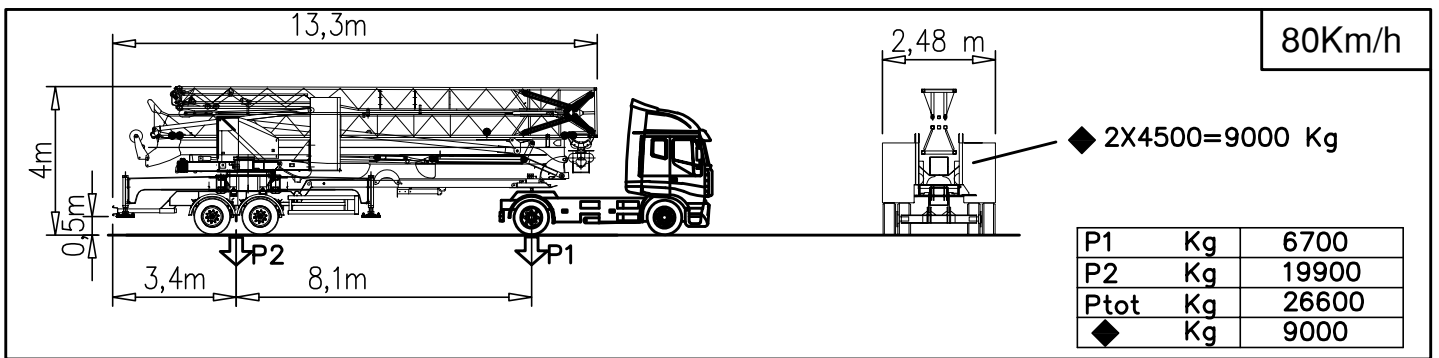
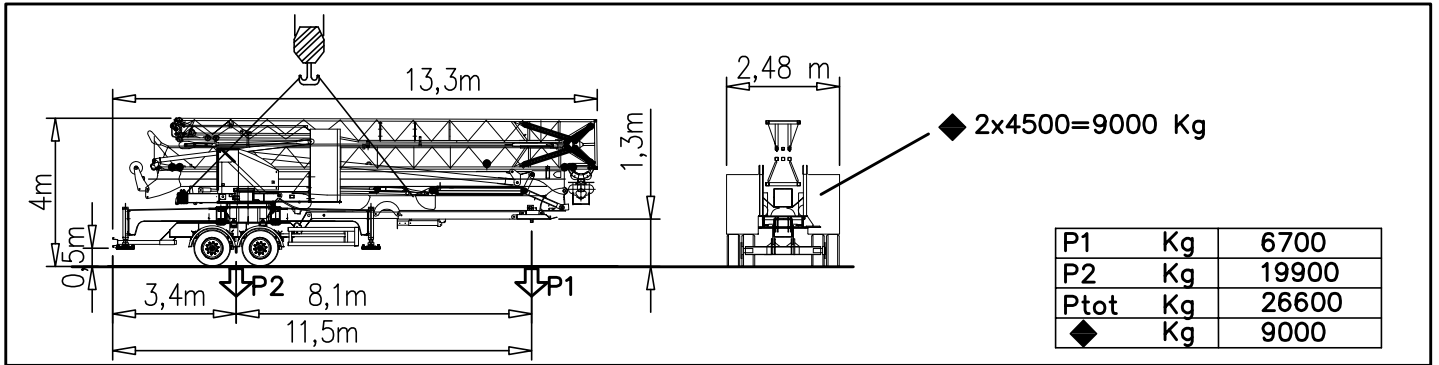
- Reacciones en servicio
- Reacciones fuera de servicio
- ▲ Peso de la grua sin tren de transporte
- ◆ Peso de lastre

- Em serviço
- Fora de serviço
- ▲ Peso de la grua sem carro de transporte
- ◆ Peso de lastre rotativo

Montaggio – Montage – Erection – Montage – Montaje



Trasporto – Transport – Transport – Transport – Transporte



Meccanismi – Mechanisms – Mécanismes – Antriebe – Mecanismos

Triphase – 400V	V9.32 Sollevamento Hoisting Levage Heben Elevaciòn Elevaçao							V9.32 6.6 Kw (9 Hp) 16 kVA
		m/min	4	13	32	40		
		t	2.4	2.4	1.0	0.6		
Carrello Trolleying Distribution Katzfahren Distribuciòn Distribuçao			1a	0 → 30		m/min	2.2 kW (3 Hp)	
			2a					
Rotazione Slewing Orientation Schwenken Orientaciòn Rotaçao			1a	0 → 0.8		giri/min tr/min rp/min	2.2 kW (3 Hp)	
			2a					
			3a					

MonoTriphase – 230/400V	V9.32 Sollevamento Hoisting Levage Heben Elevaciòn Elevaçao							V9.32 6.6 Kw (9 Hp) 230V–3kVA 400V–6kVA
		m/min	4	11	25	35		
		t	2.2	2.2	1.0	0.6		
Carrello Trolleying Distribution Katzfahren Distribuciòn Distribuçao			1a	0 → 30		m/min	2.2 kW (3 Hp)	
			2a					
Rotazione Slewing Orientation Schwenken Orientaciòn Rotaçao			1a	0 → 0.8		giri/min tr/min rp/min	2.2 kW (3 Hp)	
			2a					
			3a					

Rete elettrica – Réseau – Mains supply – Netzstrom – Red	230/400V – 50 Hz	400V – 50 Hz
Potenza elettrica necessaria – Puissance électrique nécessaire Necessary electric power – Anschlusswert Potencia electrica necesaria	V9.32/230 – 3 kVA V9.32/400 – 6 kVA	V9.32 – 16 kVA

AFM Gru FMgru s.r.l.
via Emilia 11–29010 Pontenure PC ITALY
tel. 0523/510446 ric.aut. fax 0523/510365
www.fmgru.it e-mail: info@fmgru.com

EN 14439–C25
FEM 1.001–A3
2000/14/CE



Documento commerciale non contrattuale
Per tutte le informazioni tecniche riferirsi
alle corrispondenti istruzioni

Unverbindliches Vertriebsdokument.
Für technische Informationen, siehe die
entsprechenden Anweisungen.

This commercial document is not legally
binding. For any technical information, please
refer to the corresponding instructions.

Documento comercial no contractual
Para cualquier información técnica,
ver la noticia correspondiente.

Code: 15ICA37B58A0			
Ed.	Data	Rev	Data
1	04.02.13	3	15.03.19