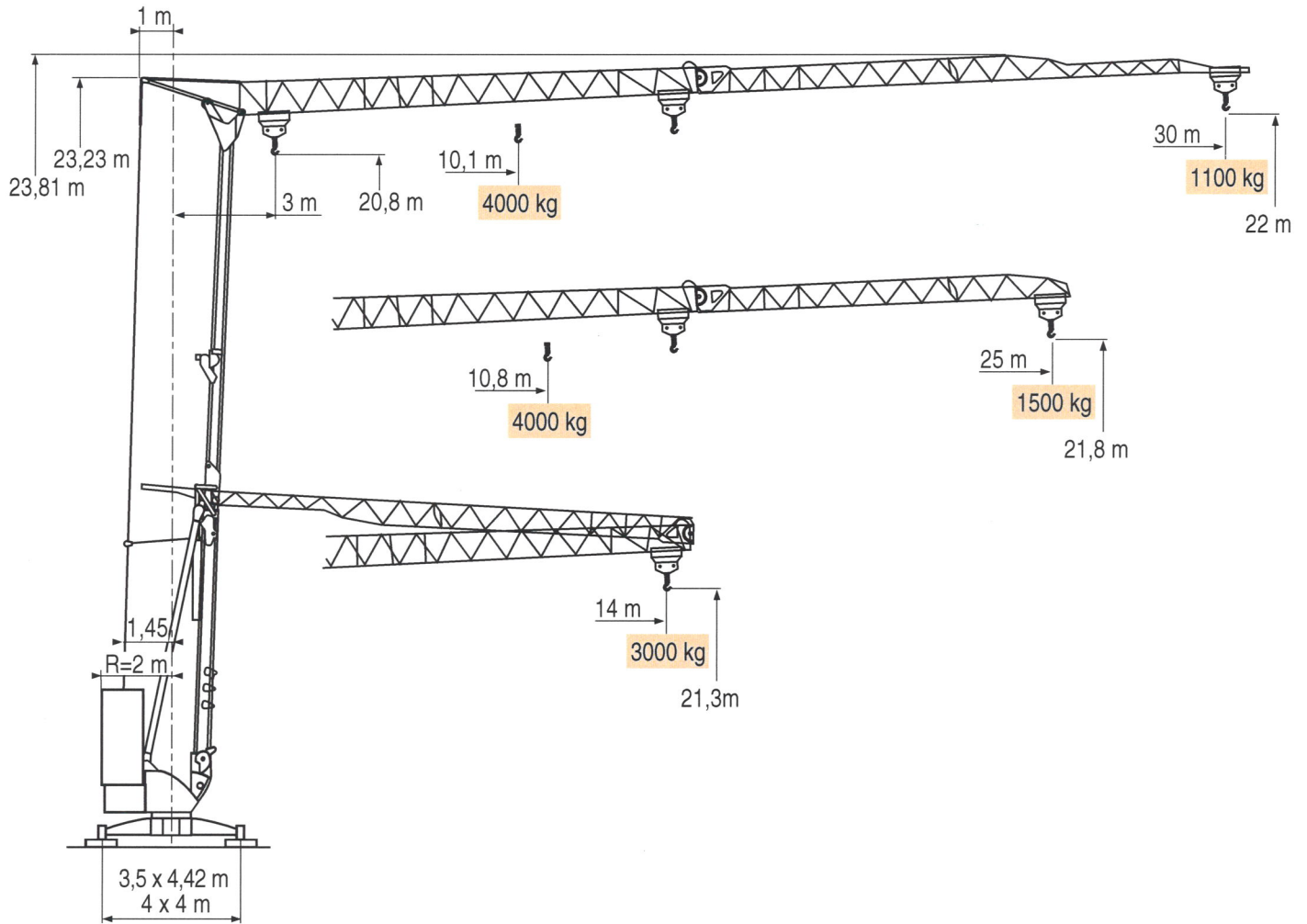


Cadillon



CHRONOFLASH® 30 TL

Manitowoc
Crane Group

CE FEM 1.001-A3